

ASSEMBLY INSTRUCTIONS

PANTRY CABINET (WP1884, WP1896)

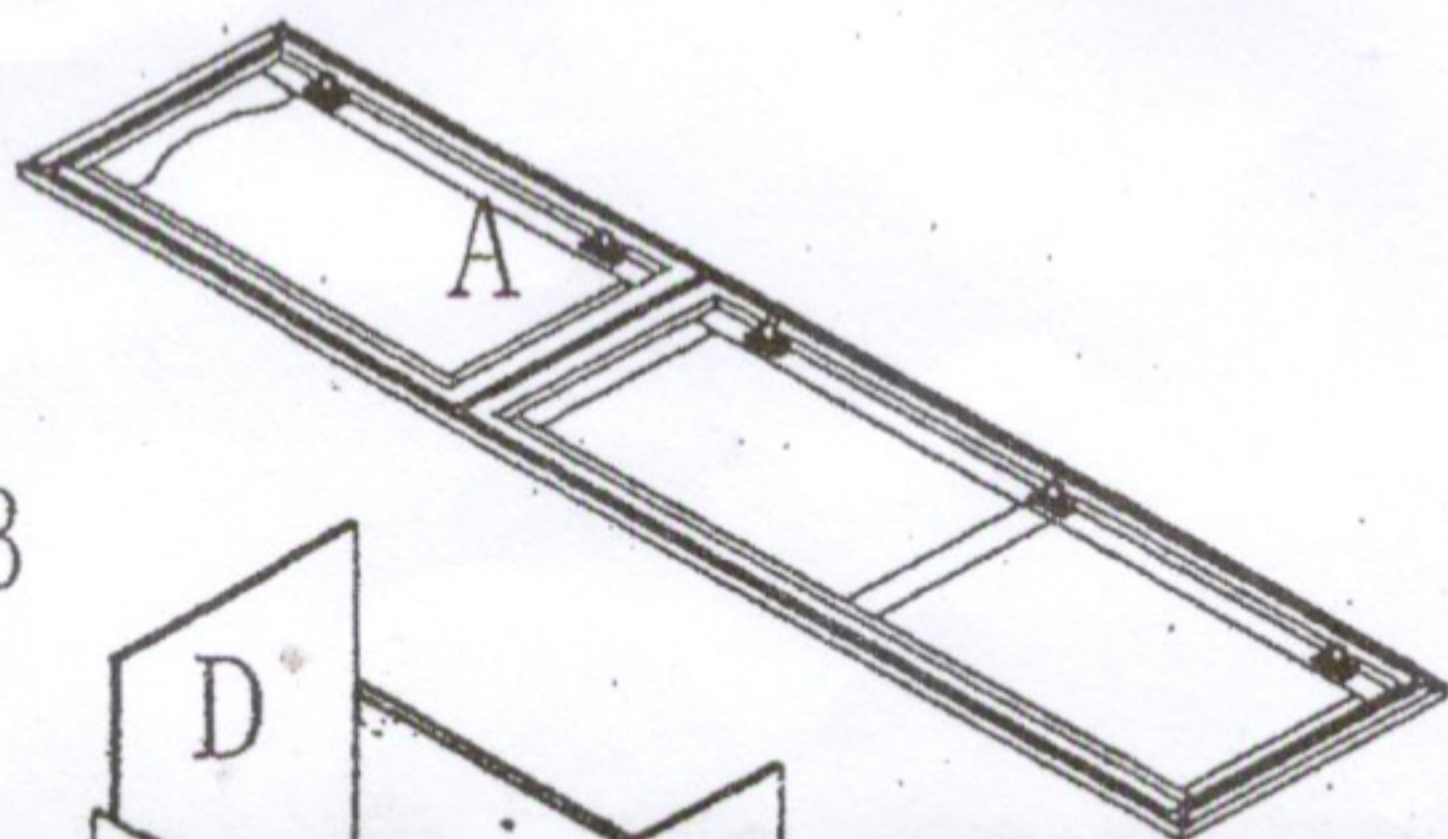
CABINET PARTS LIST

A-Doors & Face Frame B-End Panels(2) C-Shelves(2) D-Top/Medium/Bottom Panels(3)
E-Back Panel H-Toe Kick

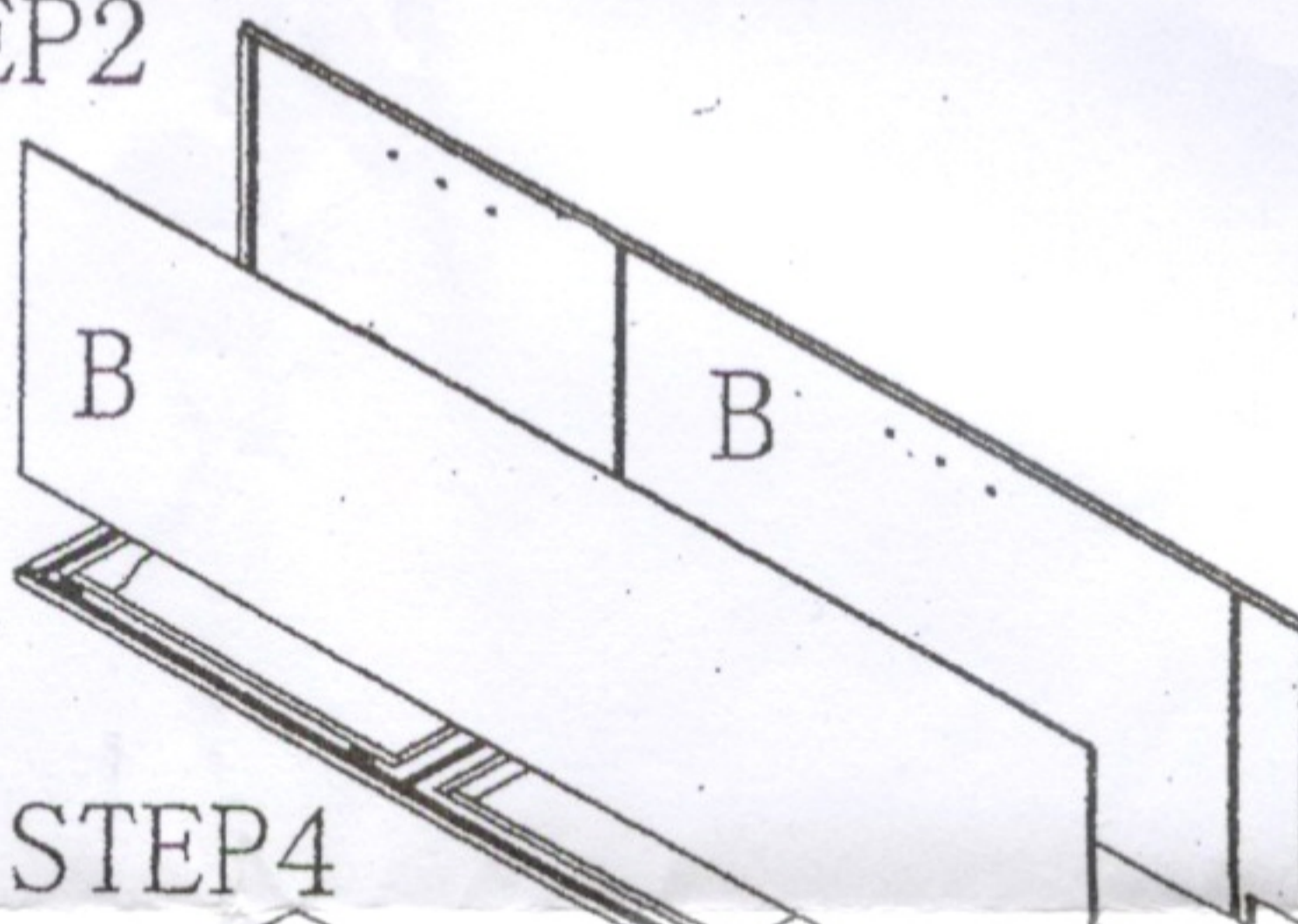
HARDWARE PARTS LIST

1. Shelf Clips(8)

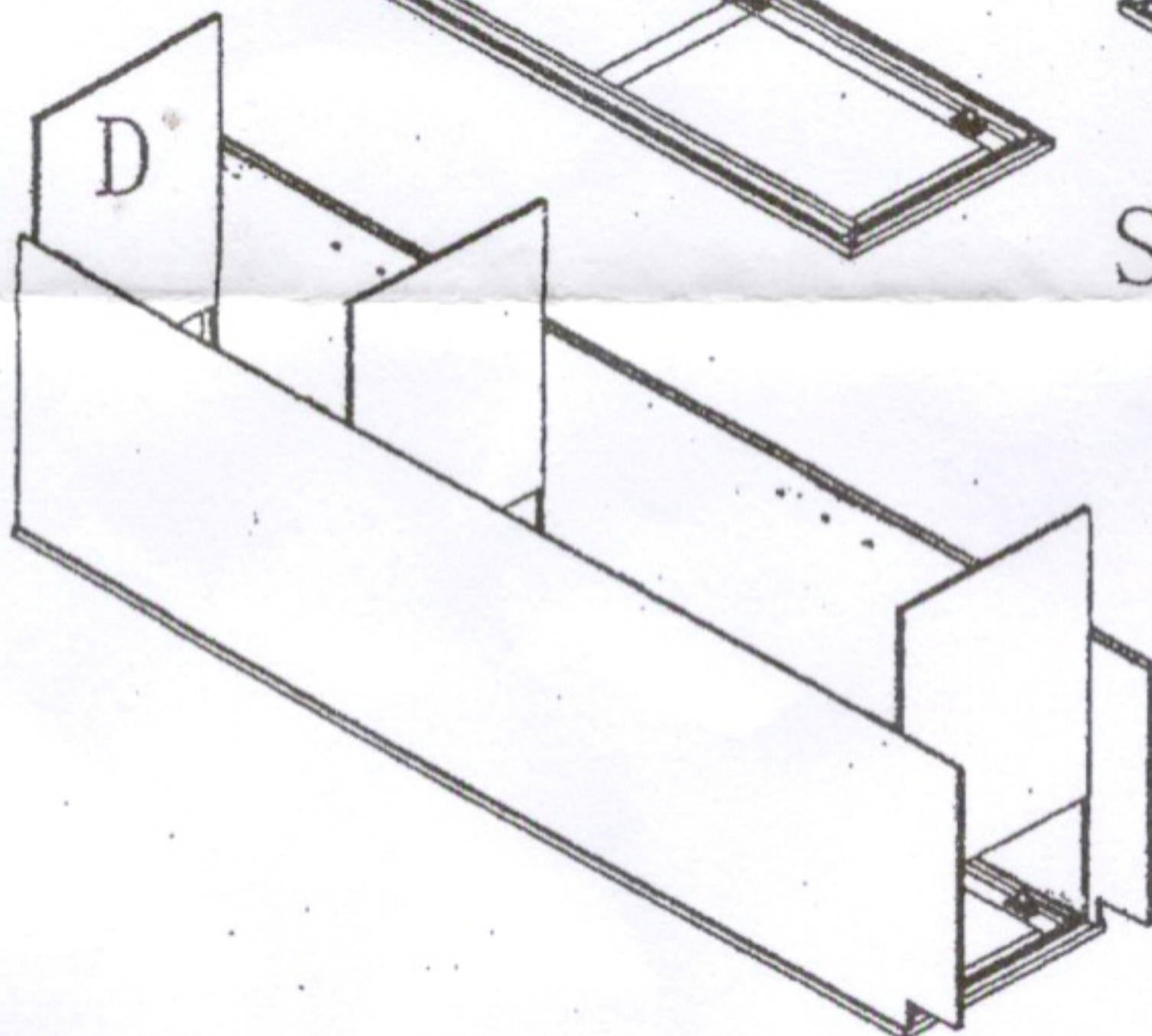
STEP1



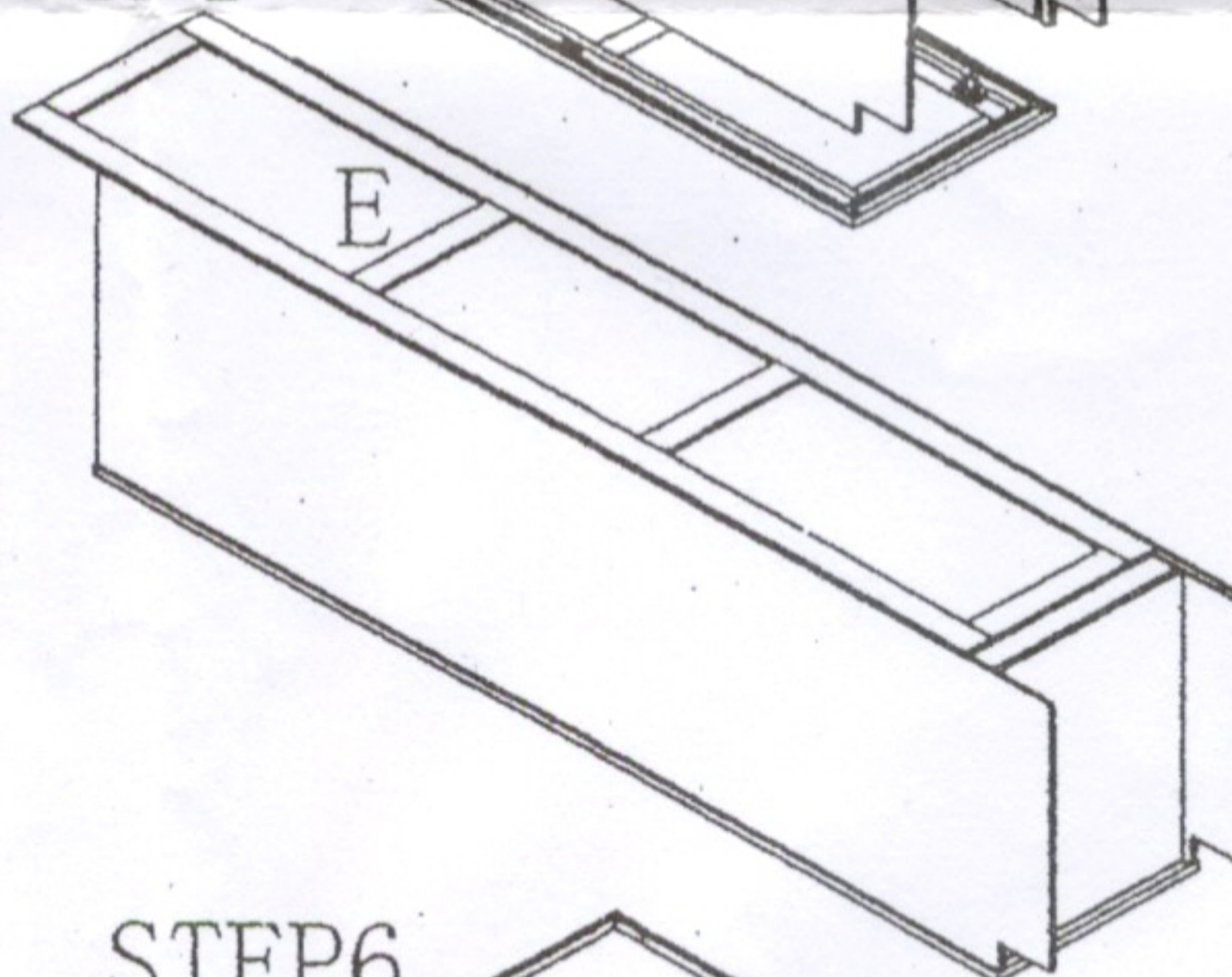
STEP2



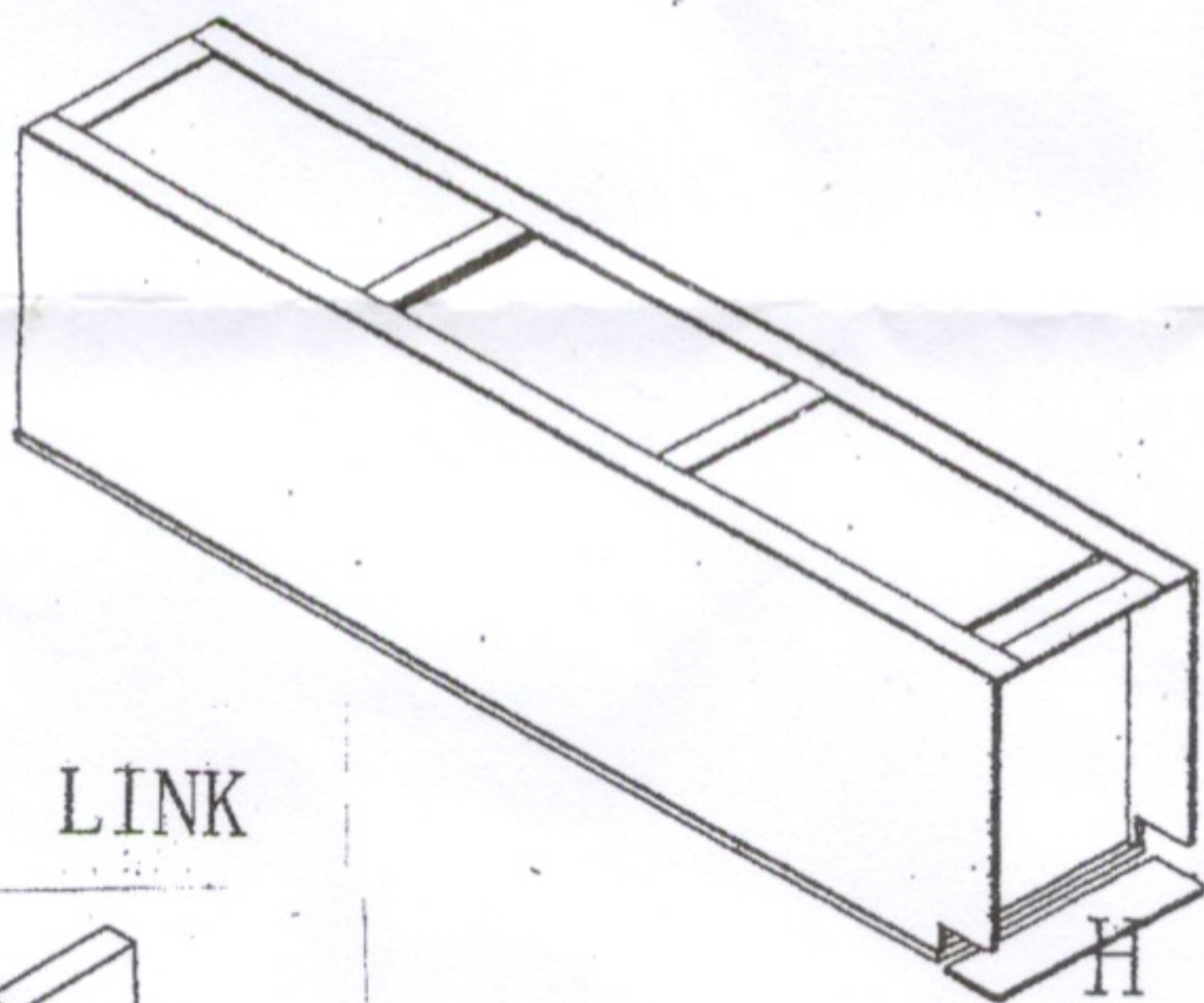
STEP3



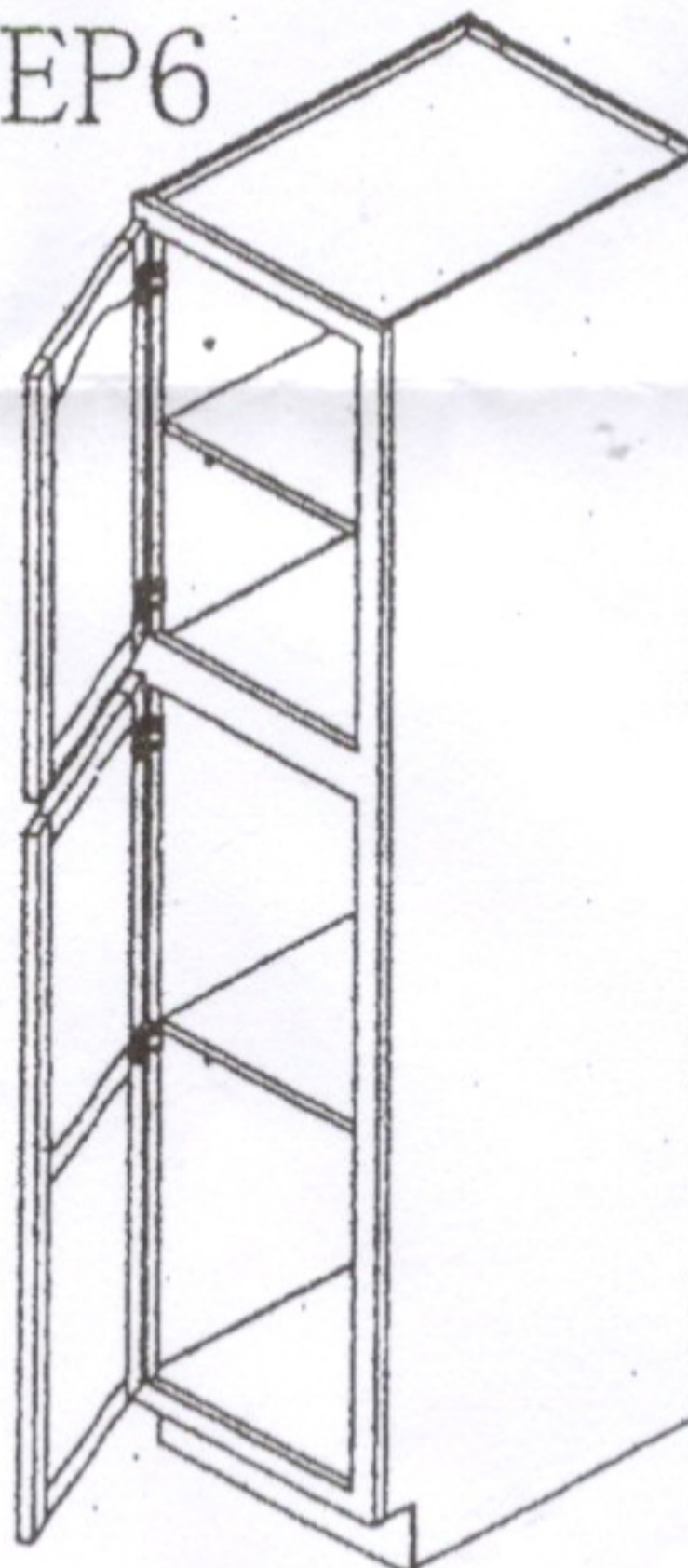
STEP4



STEP5



STEP6



LINK

