

ASSEMBLY INSTRUCTIONS

KITCHEN WALL CABINET

This instruction sheet applies to all kitchen wall cabinets assembly.

The following parts are included in this carton. Separate and check to see that all parts are accounted for before beginning assembly. If you are missing parts use the form enclosed and fax or mail to us or call us and request that the part(s) be sent to you.

PARTS LIST

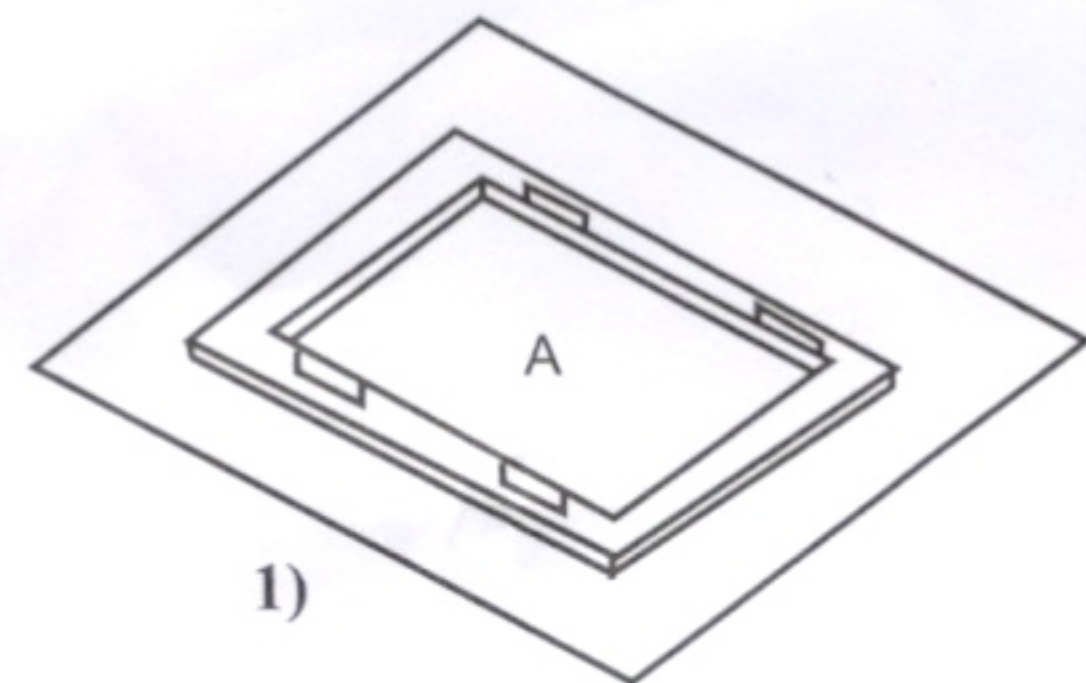
A - Door & Faceframe (1) B - Side Panels (2) C - Top (1) D - Bottom (1) E - Back Panel (1)
 F - Shelves (No or 1 or 2, depending on item #) G - Hardware Bag (1): Shelf Clip - (4 set per shelf) Smallest screws-8

These Wall Cabinets are single, double, triple door and vary in size. The assembly instructions are the same for each cabime.

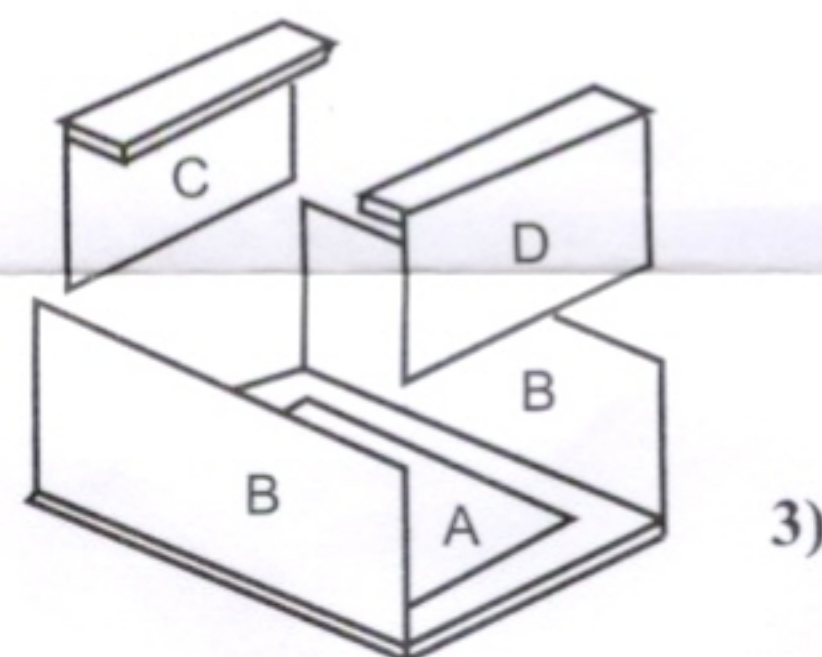
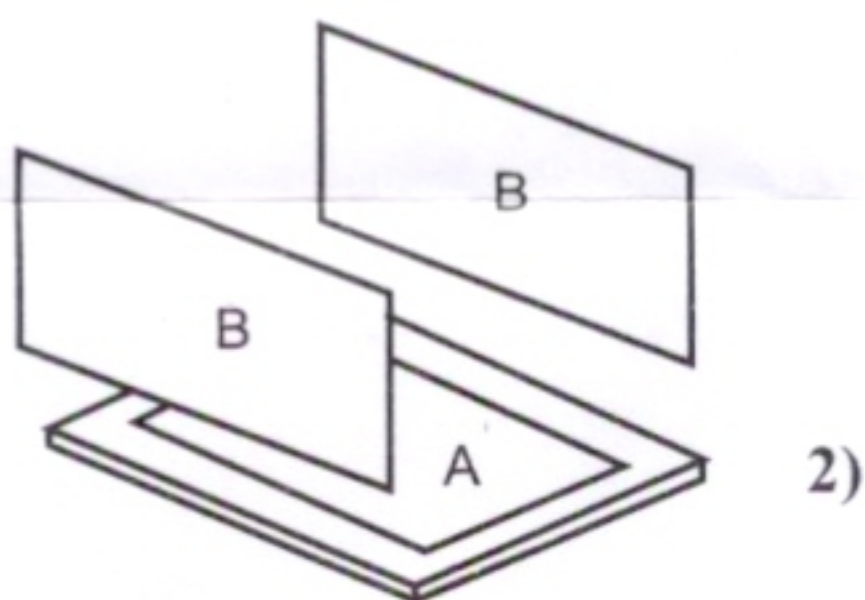
ASSEMBLY STEPS

STEP 1: Remove the Wall unit parts and make sure all are accounted for. Place the Faceframe (A) down on a flat soft working surface to avoid scratching the cabinet.

STEP 2: Insect two Side Panels (B) in the grooves of Faceframe (A). Align the plastic half sections of the camlock connectors. Confirm all is flush and lock connectors with a screwdriver by turning the screw located on the camlock connector to the right 180 degrees, reference figure A



STEP 3: Insert Top (C) and Bottom (D) into the grooves of Side Panels (B) and Faceframe (A). Please note that you will have to gently spread Side Panels (B) in order to seat & align the Top and Bottom Panels. Align all the half section camlock connectors, confirm that all is flush and lock connectors as above.



STEP 4: Slide the Back Panel (E) into grooves in rear of Side Panels (B). Made sure the finished side of Back Panel is to the inside of the cabinet. Once the Back Panel is aligned and all is flush fasten with the smallest screws provided into the pre-drilled holes in the Back Panel.

STEP 5: Your Wall Cabinet is now complete. For cabinet wall mounting: Depending upon your existing wall condition (e.g.wood,concrets,tile), consult a professional contractor or building suppler for proper mounting method and materials used. After mounting the cabient to the wall, insert the Shelf Clips from the hardware bag into the holes in the cabinet side panels at the deslred height and slide in the Shelves (F).

