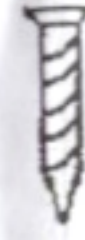
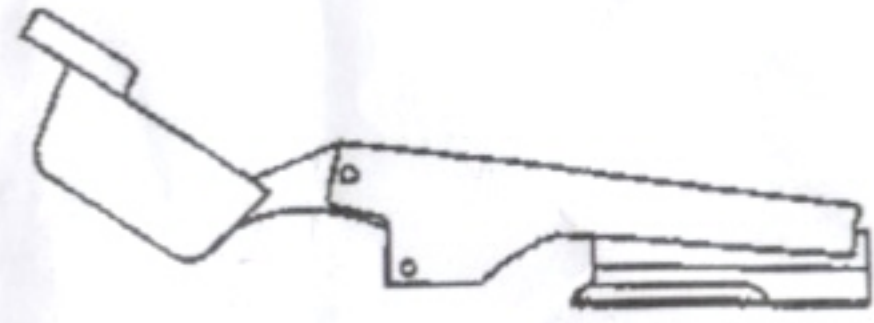


INSTALL SKETCH MAP

VANITY CABINETS (24" & 32.5" EURO)

1. Hardware-Fittings



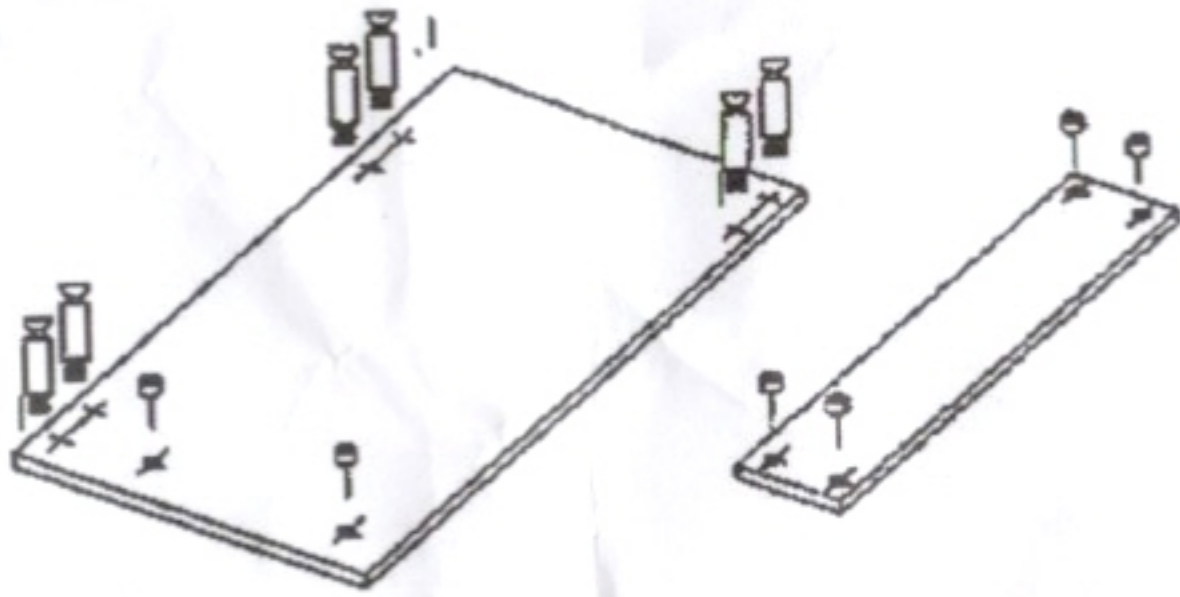
A. Link * 16

B. Back Brace * 2

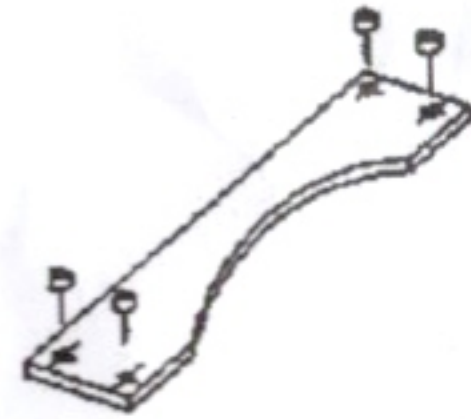
C. Front Brace

D. Bottom

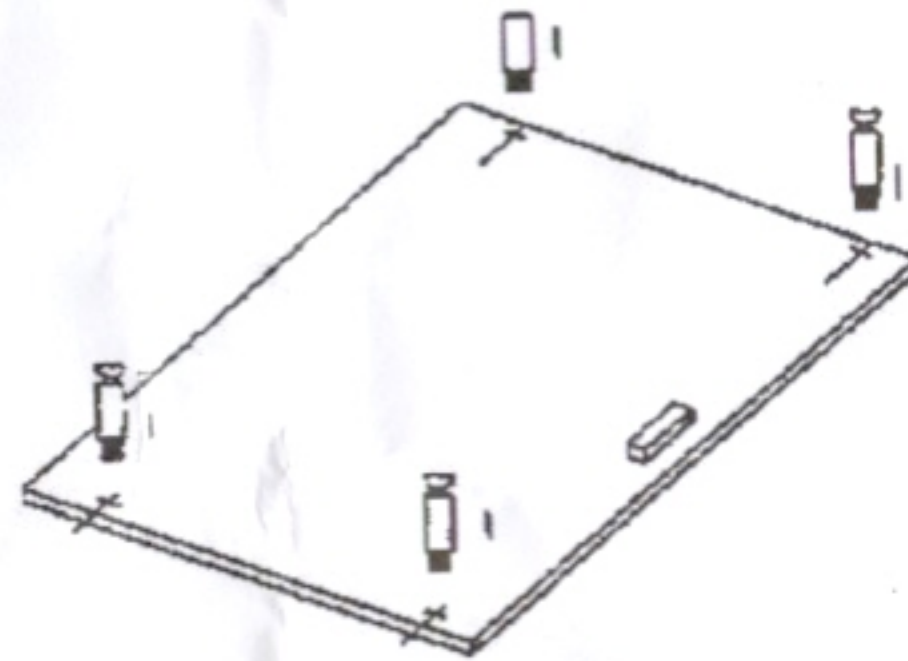
2. Product-Parts



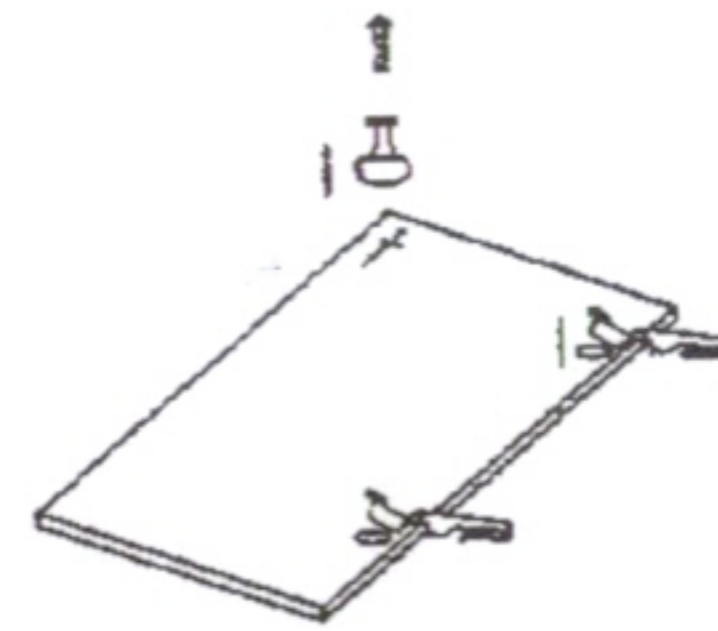
B. Back Brace * 2



C. Front Brace



D. Bottom



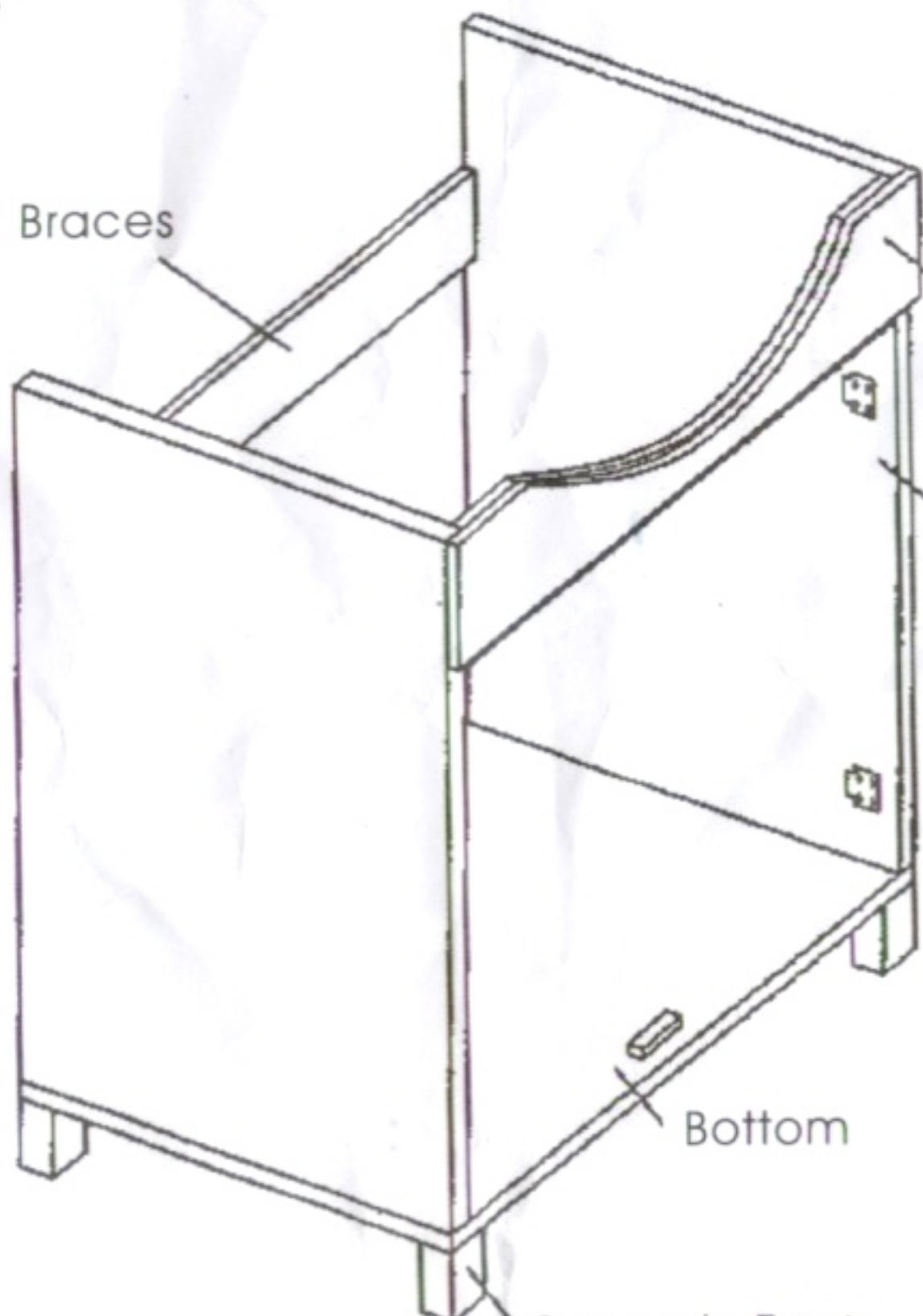
E. Door * 2



F. Support - Feet * 4

3.

Back Braces

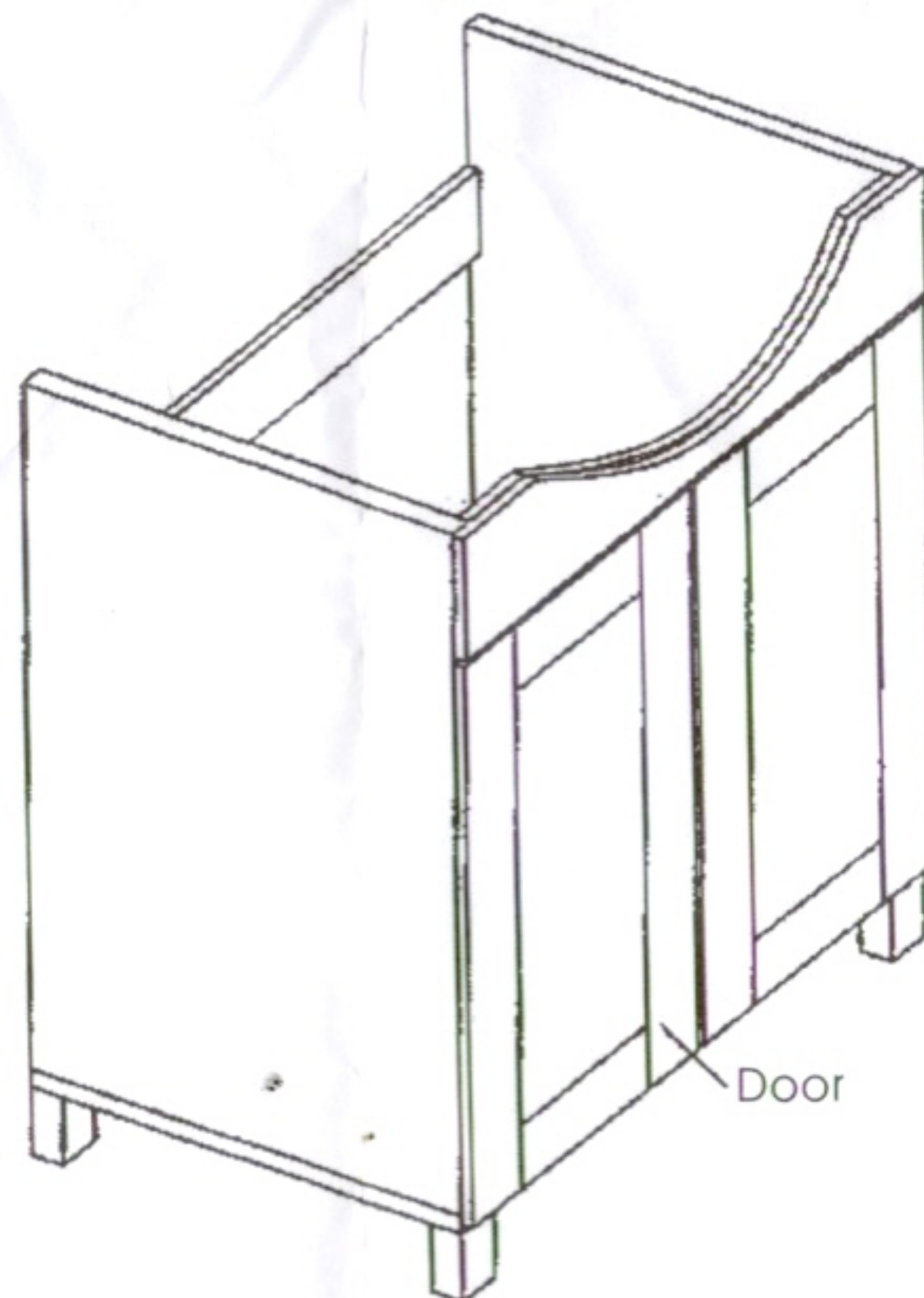


Front Braces

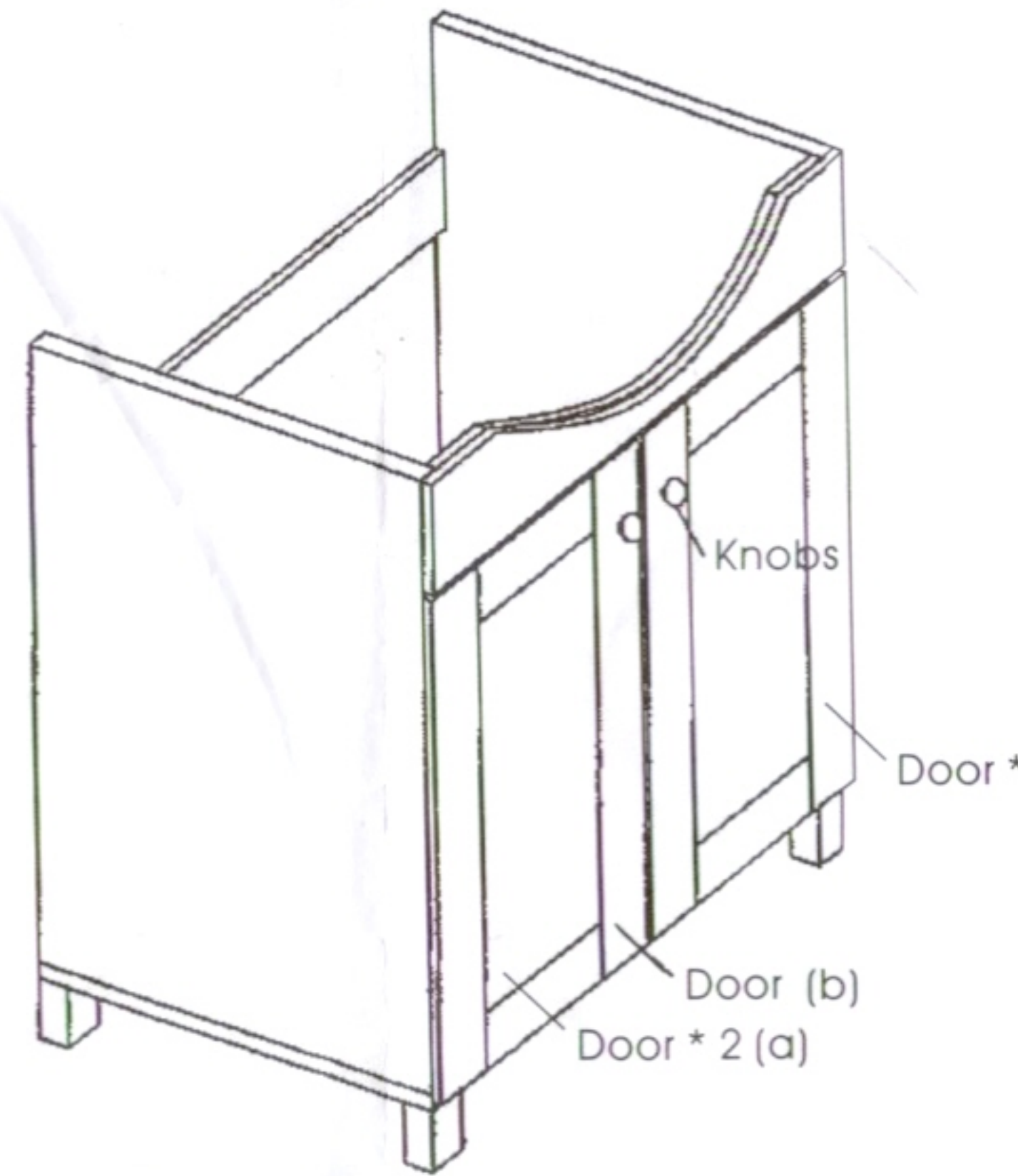
Side Panels

Bottom

Support Feet



Door



Knobs

Door * 2 (a)

Door *